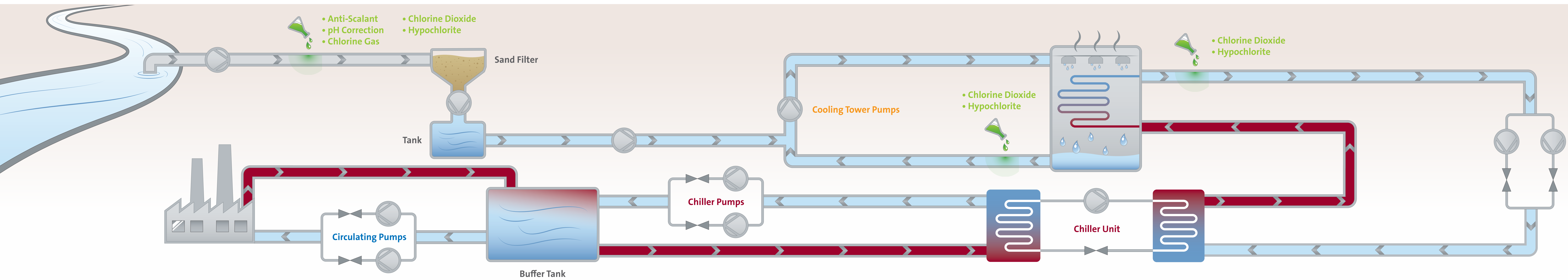


GRUNDFOS PRODUCTS IN COOLING SYSTEMS



For more information see WT Chart

Water Quality Measurement
DID, Conductivity, pH, Chlorine, Chlorine Dioxide

ClO₂ Systems
Oxiperm Pro
Oxiperm ISIA

Water Treatment

Multistage
CR

Dosing Pumps
SMART Digital/DME/DMX/DMH

Booster Systems
Hydro MPC

Cooling Tower

Multistage
CM/CR

Singlestage
NB/NK/TP

Peerles TUT

Peerles 8196

HS LS

Paco VLS

Booster Systems
Hydro MPC

Chiller

Multistage
CM/CR

HS LS

Peerles 8196

Paco VLS

Booster Systems
Hydro MPC

Circulation

Multistage
CM/CR

Singlestage
NB/NK/TP

Circulator MAGNA3

Peerles TUT

Paco VLS

Control System

Frequency Converters for Speed Control
CUE

Pump Control
Grundfos GO Remote

MP 204

MPC Controller

Grundfos Remote Management
CIM/CIU